

Material / Materiaal

No. / Nr.	Plan	Article / Artikel	Number / Aantal
1	Y011482	1639304	1
2	Y005659	1425701	1
3	---	1001580	1
4	Y002783	1436104	2
5	---	1001612	1
6	---	1008459	4

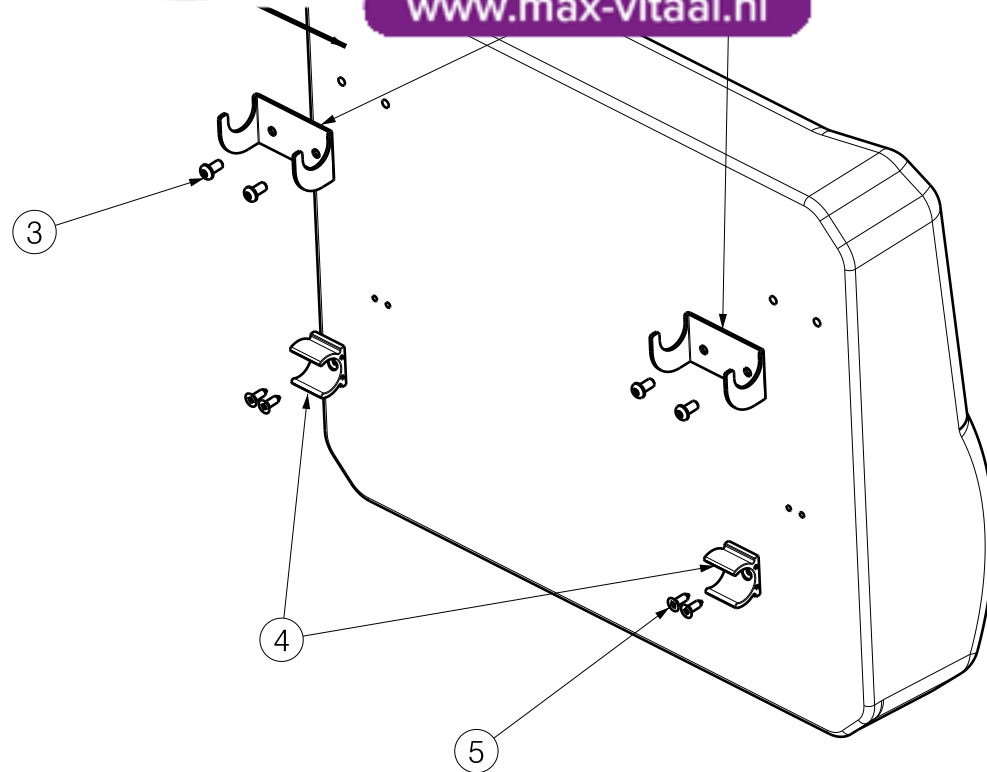
B52 TYPE COMFORT CHAIR

Plan No. / Plannr.

E000318A

Scale / Schaal: 1:4	Drafted / Getekend	Verified / Nagezien	Confirmed / Bevestigd
Date / Datum	18/09/2006	18/09/2006	18/09/2006
Init. / Init.	SD	SD	PJ





Material			
No.	Plan	Article	Quantity
1	C32 JAUNE MIRABELLE	1998696	1
	C33 BLEU LAVANDE	1998697	1
	C34 CITROUILLE	1998698	1
	C35 VERT AMANDE	1998699	1
	C36 ROUGE MORGON	1998700	1
	C37 BLEU NUIT	1998701	1
	C38 MARRON CHATAIGNE	1998702	1
	C39 VERT BASILIC	1998703	1
	C40 TISSUS BLEU	1999974	1
	C41 TISSUS ROUGE	1999975	1
	*	C32H JAUNE MIRABELLE	1999856
C33H BLEU LAVANDE		1900062	1
C34H CITROUILLE		1999857	1
C35H VERT AMANDE		1902003	1
C36H ROUGE MORGON		1901829	1
C37H BLEU NUIT		1902004	1
C38H MARRON CHATAIGNE		1998866	1
C39H VERT BASILIC		1901934	1
C40H TISSUS BLEU		1907708	1
C41H TISSUS ROUGE		1908416	1
2		YP00717	18218
3	M6x12 ISO 7380-1	1007000	4
4	XP00106	2990072	2
5	3,9x16 DIN7982	1005767	4

*- Optional, without stitches (H)

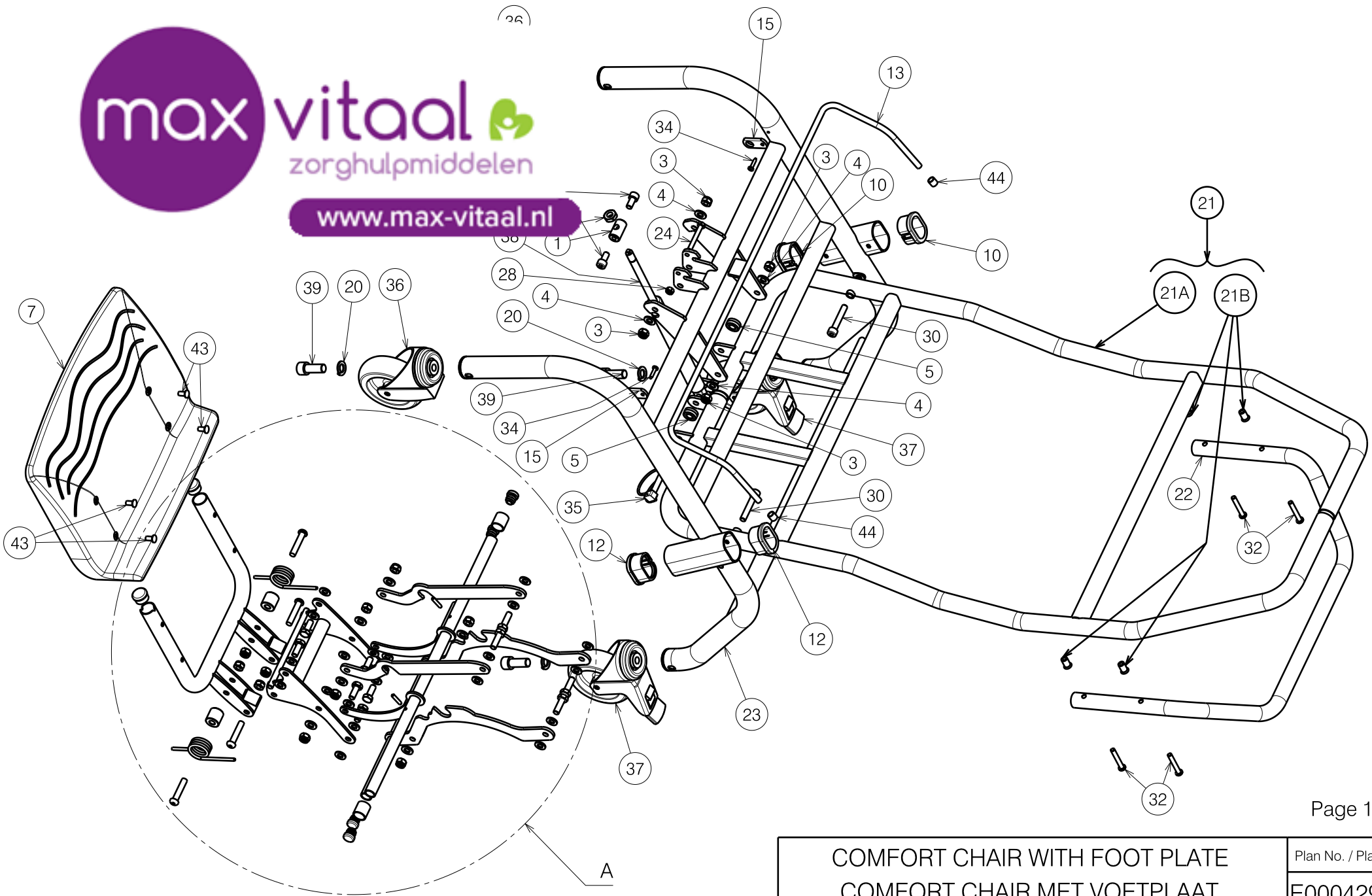
EXPLODED VIEW SEAT F-REPO				Plan No. / Plannr.
				E000236/D
Scale / Schaal: 1:5	Drafted / Getekend	Verified / Nagezien	Confirmed / Bevestigd	
Date / Datum	06/06/2005	30/08/2019	30/08/2019	
Init. / Init.	RM	DB	TK	



Material			
No.	Plan	Article	Quantity
1	YP00908	1835282	1
2	Y000928	1837482	2
3	---	1005767	10
4	---	1994231	2
5	C32	1914887	1
	C33	1914888	1
	C34	1914889	1
	C35	1914890	1
	C36	1914869	1
	C37	1914891	1
	C38	1914892	1
	C39	1914893	1
	C40	1914894	1
	C41	1914895	1
6	YP00909	18353	2
7	---	1003199	4
8	---	1001682	4
9	---	1992349	4
10	---	1001610	4

E000280/D

EXPLOSION FOOTREST STOOL COMFORT CHAIR				Plan No. / Nr.rys.
RYSUNEK ZESTAWIENIOWY PUFA FOTELE WYPOCZYNKOWEGO				E000280/D
Scale / Skala: 1:5	Drafted / Rysował	Verified / Sprawdzil	Confirmed / Zatwierdzil	
Date / Data	17/03/2006	19/06/2019	08/02/2008	
Init. / Inic.	MF	DB	TK	



COMFORT CHAIR WITH FOOT PLATE COMFORT CHAIR MET VOETPLAAT			Plan No. / Plannr. E000429/F
Scale / Schaal: 7:50	Drafted / Getekend	Verified / Nagezien	Confirmed / Bevestigd
Date / Datum	30/01/2008	12/06/2019	12/06/2019
Init. / Init.	SD	TT	PJ



No. / Nr.

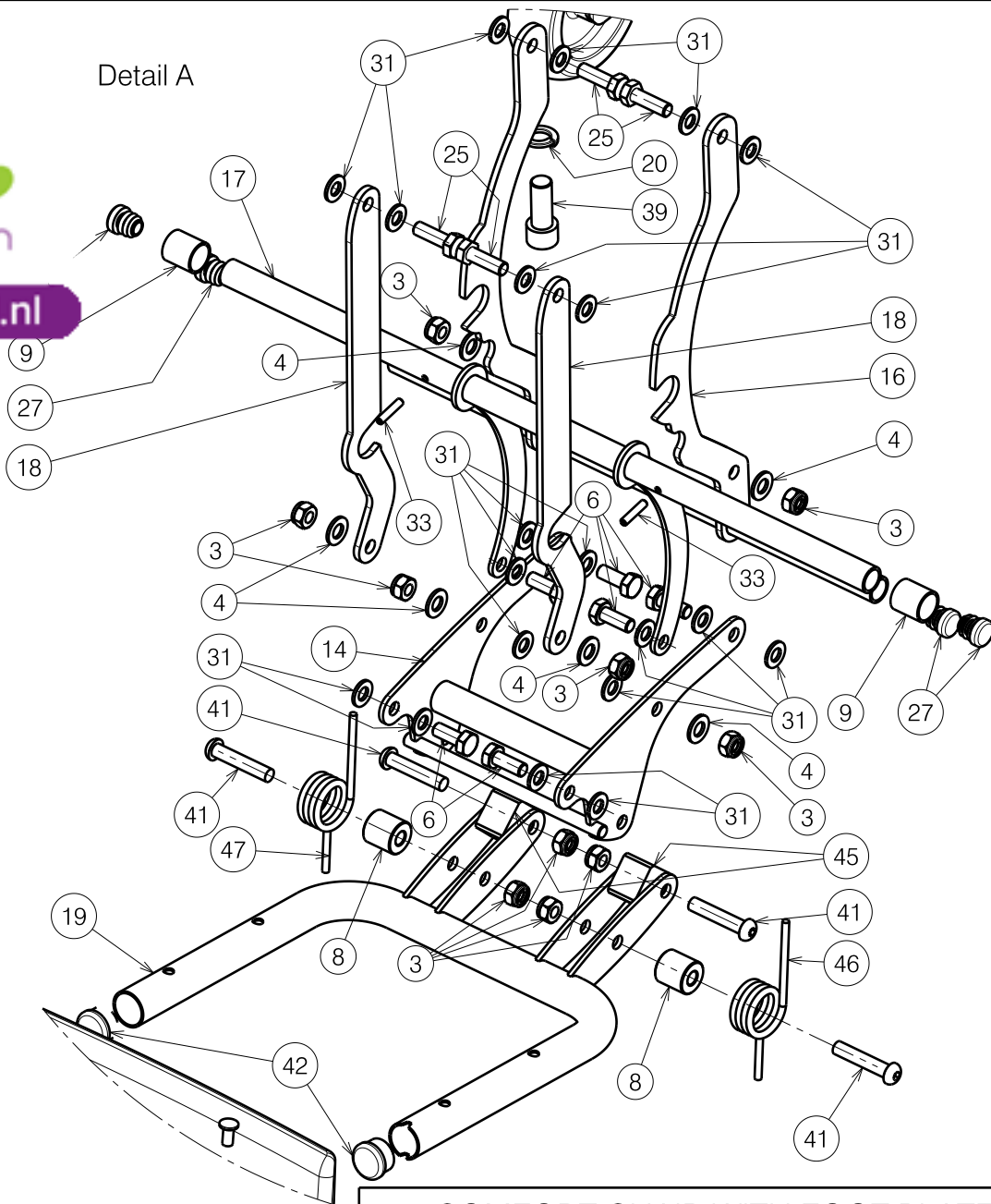


max vitaal
zorghulpmiddelen

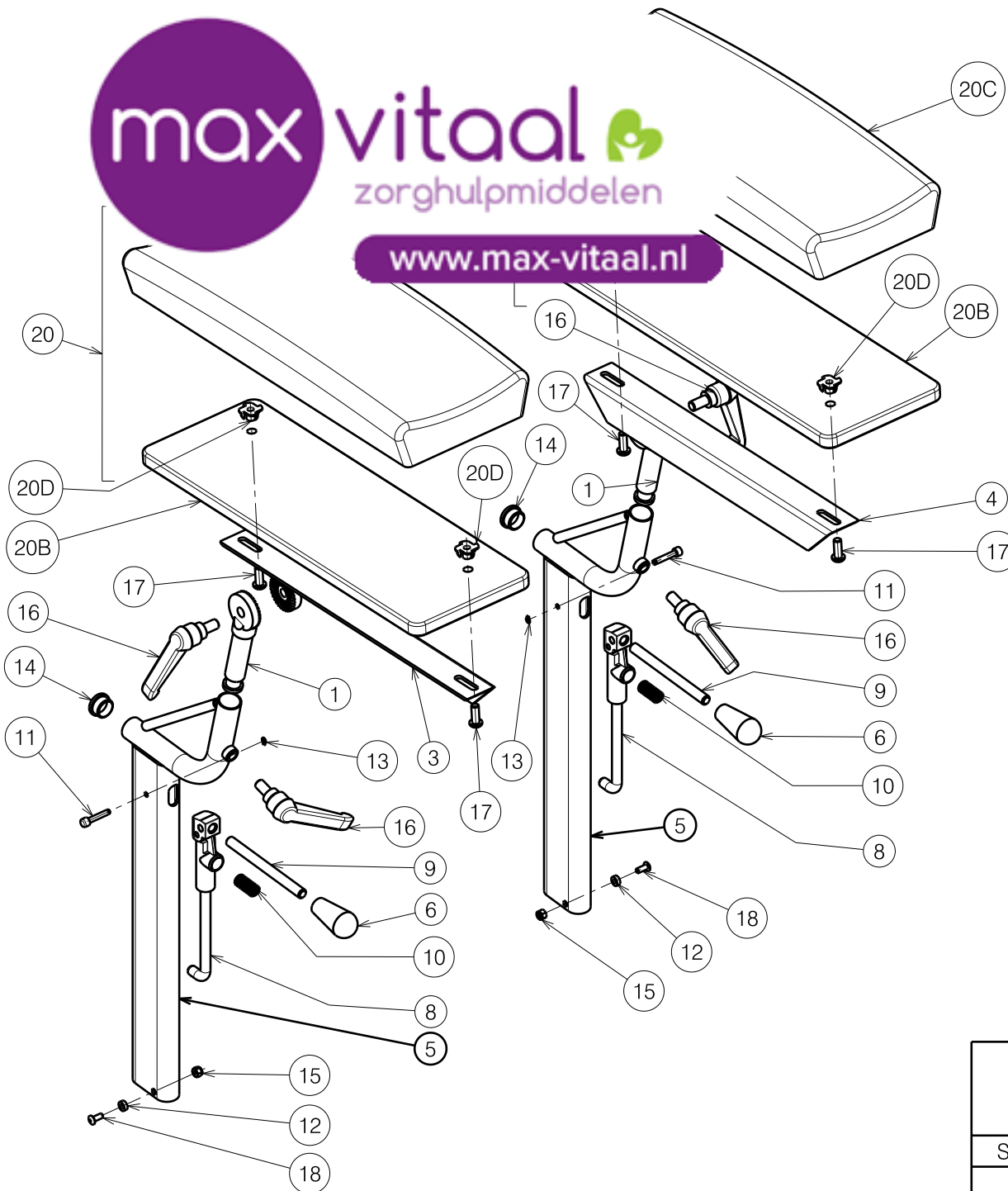
www.max-vitaal.nl

1				
3				
4				
5				
6				
7				
8				
9				
10	XP00083	2990041		
11	/	/	/	/
12	XP00190	2990049	2	
13	Y011448	1638500	1	
14	Y012124	1683482	1	
15	Y012249	1667282	2	
16	Y012657	1683282	1	
17	Y012658	1683382	1	
18	Y012851	1683582	2	
19	Y013065	1678300	1	
20	M12 DIN127A	1001572	4	
21	---	2072782	1	
21A	YP00913	1836882	1	
21B	X000989	1004539	4	
22	YP00915	1836982	1	
23	YP00920	1837282	1	
24	M6x45 DIN933/8.8	1001435	1	
25	M8x25 DIN933/8.8	1001442	4	
26	M8x16 DIN912/8.8	1001498	2	
27	Φ16	1001598	4	
28	M6 DIN985	1001680	1	
30	M8x45 DIN912/8.8	1003110	2	
31	M8 DIN125	1003199	20	
32	M6x40	1006111	4	
33	Φ4x20 DIN1481	1009584	2	
34	Φ4x20	1991373	2	
35	Φ8x45	1993594	1	
36	---	1902259	2	
37	---	1001252	2	
38	---	1991628	1	
39	M12x30 DIN912/8.8	1009318	4	
41	M8x40	1008739	4	
42	Φ22	1001604	2	
43	Φ6	1992835	4	
44	X003826	1009273	1	
45	X004198	1701100	2	
46	XP00144	1894000 (L)	1	
47	XP00567	1894100 (R)	1	

Detail A



COMFORT CHAIR WITH FOOT PLATE				Plan No. / Plannr. E000429/F
COMFORT CHAIR MET VOETPLAAT				
Scale / Schaal: 7:50	Drafted / Getekend	Verified / Nagezien	Confirmed / Bevestigd	
Date / Datum	30/01/2008	12/06/2019	12/06/2019	
Init. / Init.	SD	TT	PJ	



Material			
No.	Plan	Article	Quantity
1	Y011619	1643500	2
3	Y015605	1721882	1
4	Y015621	1721782	1
5	Y015658	1721501	2
6	---	1998407	2
8	X004559	1904586	2
9	XP00176	1824100	2
10	XC00423	3991837	2
11	XP00180	1824500	2
12	XP00192	1826100	2
13	XP00297	2990125	2
14	---	1001602	2
15	---	1001678	2
16	---	1904866	4
17	---	1008459	4
18	---	1900952	2
20	---	1902015 (32)	2
		1902016 (33)	2
		1902017 (34)	2
		1902018 (35)	2
		1902019 (36)	2
		1902020 (37)	2
		1902021 (38)	2
		1902022 (39)	2

Note 1: (XX) Colour code

Note 2: 20A not depicted

1904660

DONOR ARMREST COMFORT CHAIR 2009

Sheet 1/2

Plan Number

E000576/J

Scale: 1:5

Drafted

Verified

Confirmed

Date

23/07/2009

16/11/2020

16/11/2020

Initials

SD

SD

PJ



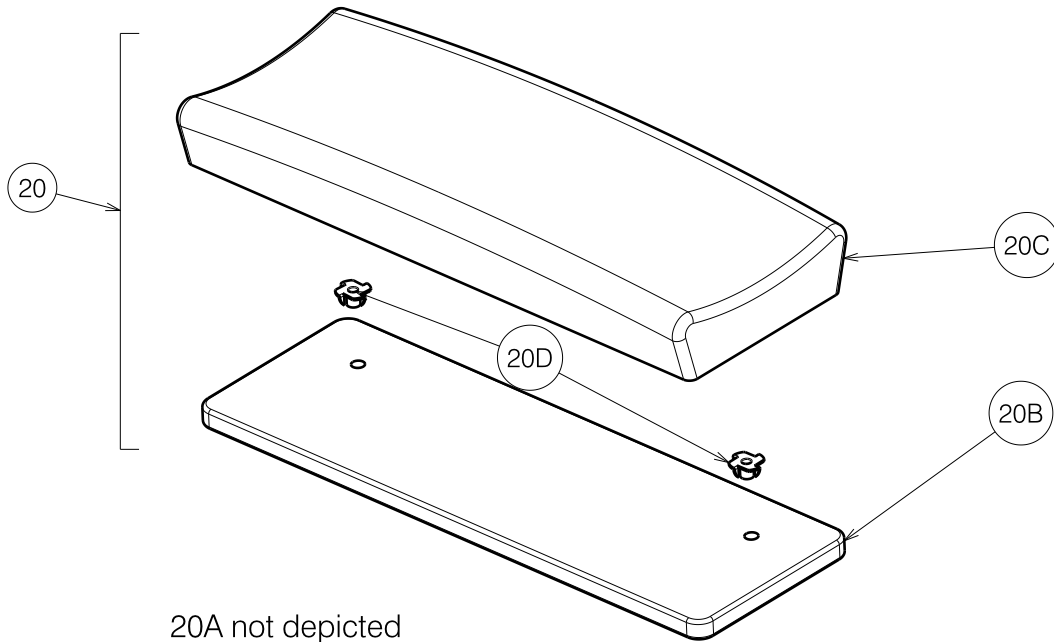


www.max-vitaal.nl

20C
20D

Upholstery Material							Quantity
34	35	36	37	38	39		
Article							
1902017	1902018	1902019	1902020	1902021	1902022	2	
1998125	1998126	1998127	1998128	1998129	1998130	2	
H7618							2
1904736							2
1992516							4

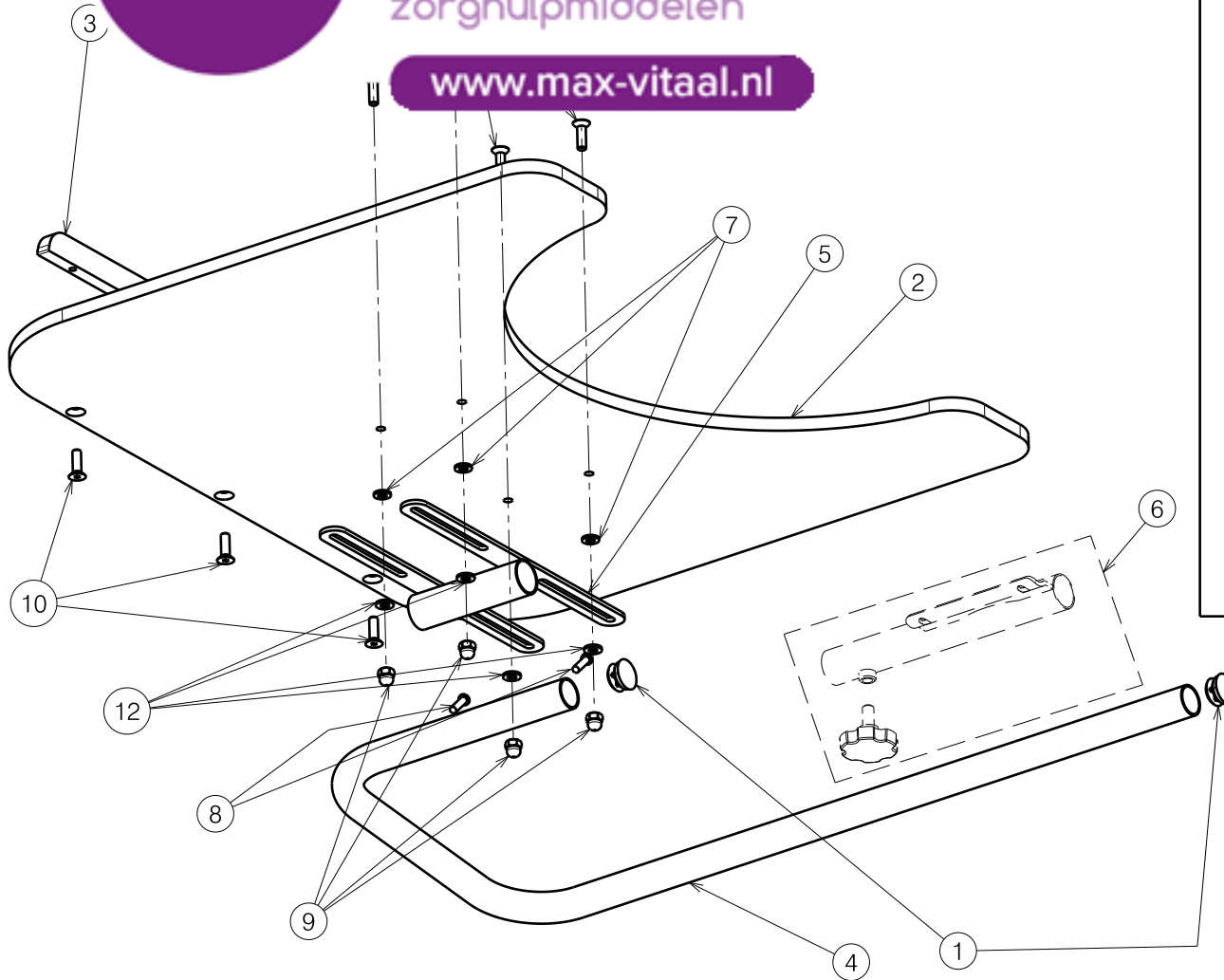
Quantities are for one pair



20A not depicted

1904660

DONOR ARMREST COMFORT CHAIR 2009				Plan Number
Sheet 2/2				E000576/J
Scale: 1:5	Drafted	Verified	Confirmed	
Date	23/07/2009	16/11/2020	16/11/2020	
Initials	SD	SD	PJ	



Material				
No.	Plan	Article	Quantity	Model/Seat width
1	X001101	1001605	2	
2	X004746	1905771	1	39 / 42
	X004753	1905796	1	44/46/48/50 Inovys II 40/45
	X004754	1905797	1	53 / 56 Inovys II 50
	X004790	1905942	1	60
3	X004791	1905943	1	39 / 42
	X004792	1905944	1	44/46/48/50 Inovys II 40/45
	X004793	1905945	1	53 / 56 Inovys II 50
	X004794	1905946	1	60
4	Y002759	1217101	1	
5	Y011782	1678501	1	
6*	---	P000025	1	
7	M6 DIN125A	1000973	4	
8	---	1001589	4	
9	M6x12	1008492	4	
10	M6X20 DIN7991	1903081	7	
12	M6 DIN125A	1001564	4	

* For attachment B13 refer to P000025

E000633 / L

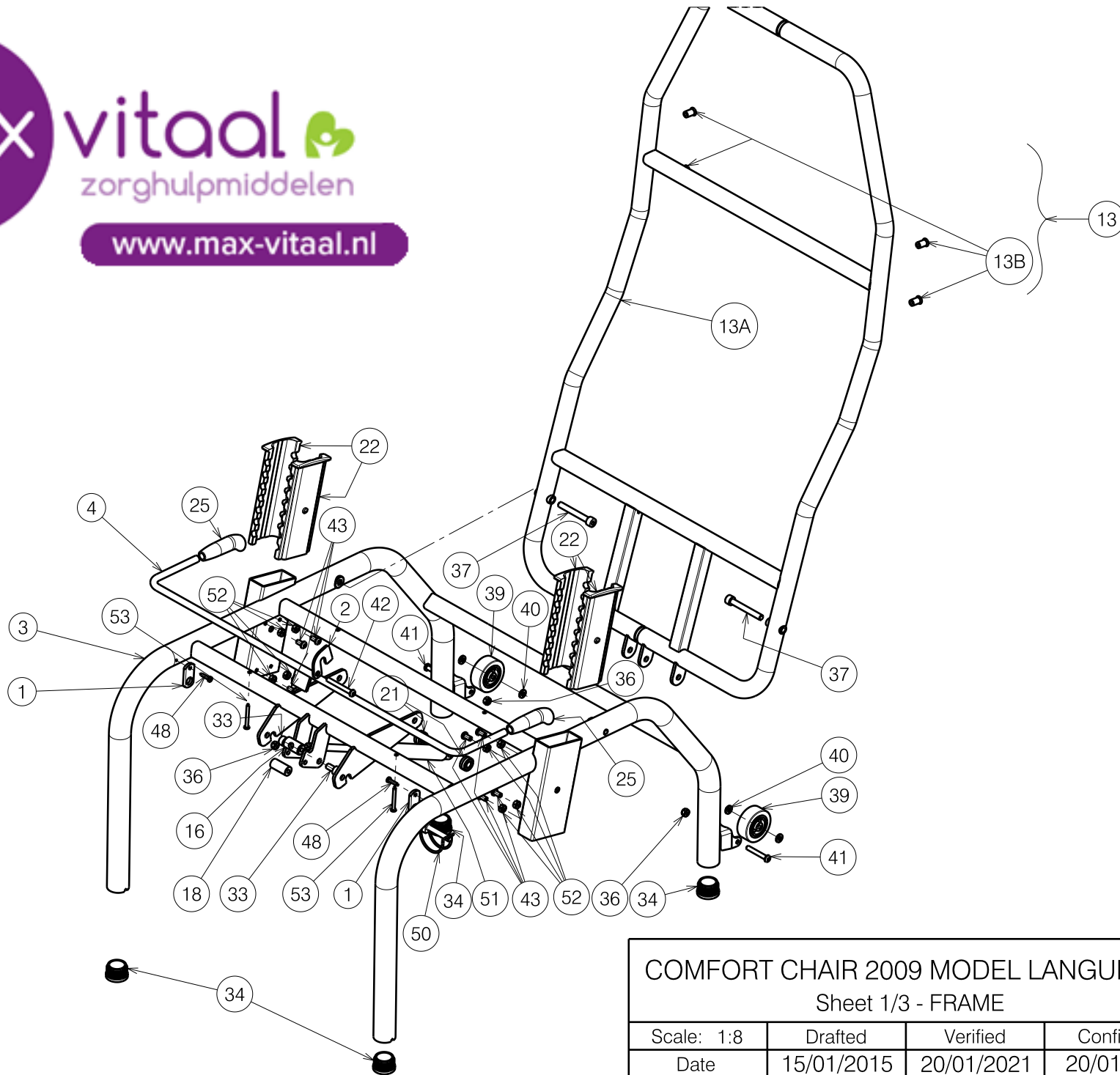
B15 PLEXI TABLE MANUAL WHEELCHAIRS

Plan No. / Plannr.


E000633 / L

Scale / Schaal: 1:5	Drafted / Getekend	Verified / Nagezien	Confirmed / Bevestigd
Date / Datum	26/07/2010	31/03/2020	31/03/2020
Init. / Init.	DD	SD	PJ

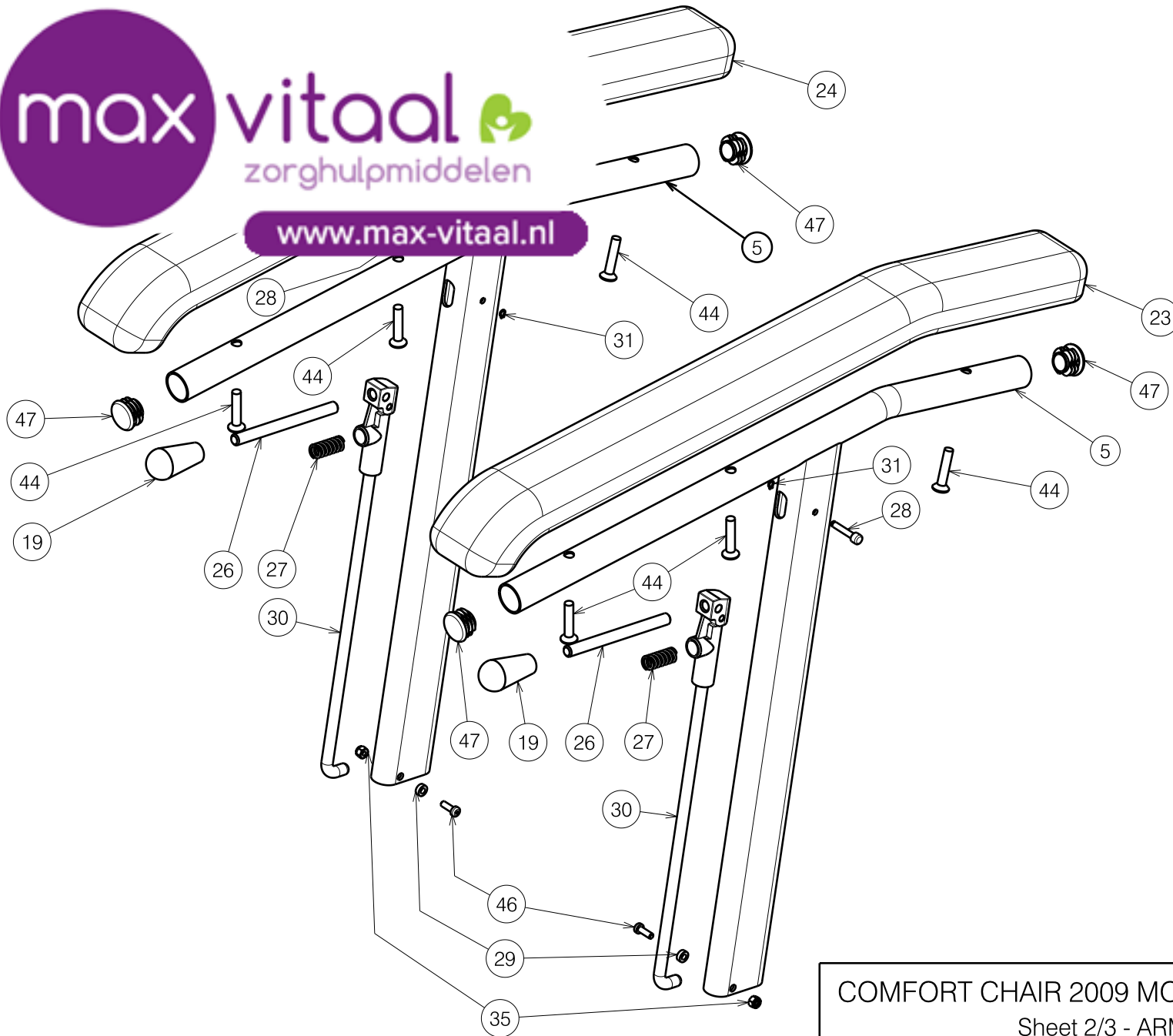




5131005

COMFORT CHAIR 2009 MODEL LANGUEDOC				Plan Number
Sheet 1/3 - FRAME				E000980/S
Scale: 1:8	Drafted	Verified	Confirmed	
Date	15/01/2015	20/01/2021	20/01/2021	
Initials	SD	TT	PJ	

E000980/S



COMFORT CHAIR 2009 MODEL LANGUEDOC				Plan Number
Sheet 2/3 - ARMRESTS				E000980/S
Scale: 1:8	Drafted	Verified	Confirmed	
Date	15/01/2015	20/01/2021	20/01/2021	
Initials	SD	TT	PJ	

Bill of material

No.					Plan	Article	Quantity
1					XP00208	2990139	2
2					XP00297	2990125	2
3					16 DIN912/8.8	1001498	2
4					---	1001610	4
5					M4 DIN985	1001678	2
13					M6 DIN985	1001680	3
13A	YP00913	18			M6x60 DIN912/8.8	1997781	2
13B	X000989	1004539	4	39	---	1003277	2
14	YP00716	1825082	1	40	M6 DIN125A	1001564	2
16	X000319	G080200	1	41	M6x40	1006111	2
18	X001296	G065155	1	42	M6x50	1006997	1
19	---	1998407	2	43	M6x12	1007000	8
21	X002480	1993793	2	44	M6x30 DIN966/4.8	1007954	6
22	X004586	1904800	4	46	M4x12 DIN7985H	1900952	2
23	XP00177	2990116	1	47	---	1990648	4
24	XP00178	2990117	1	48	Ø4x20	1991373	2
25	X004587	1904801	2	50	Ø8x45	1993594	1
26	XP00176	1824100	2	51	---	1996871	1
27	XC00423	3991837	2	52	M6 DIN934	1001670	8
28	XP00180	1824500	2	53*	Ø4x40	1005207	2
29	XP00192	1826100	2	54**	M6x35 DIN966/4.8	1003903	4



www.max-vitaal.nl

* Not mounted, delivered separately

** Not depicted

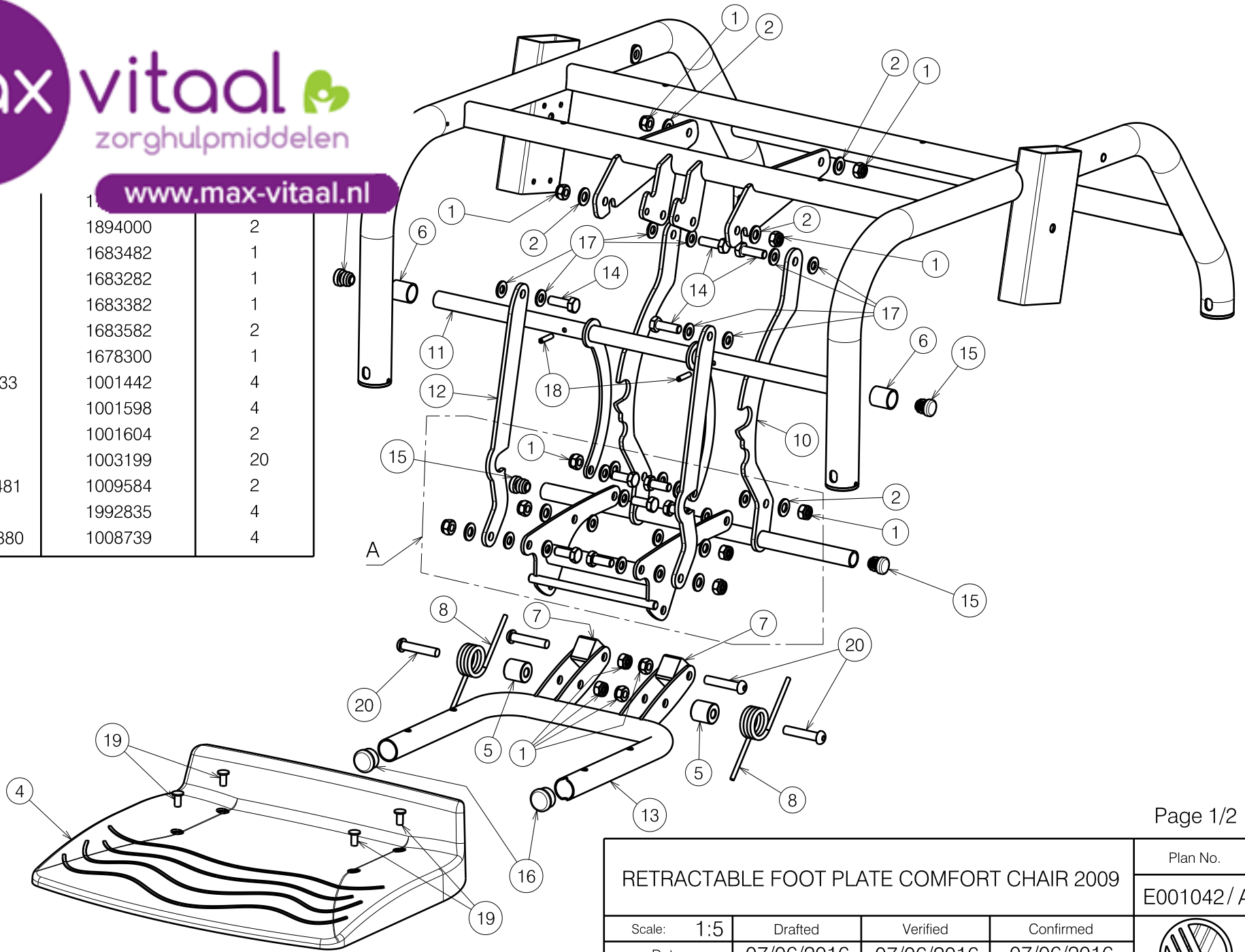
E000980/S

COMFORT CHAIR 2009 MODEL LANGUEDOC				Plan Number
Sheet 3/3 - BILL OF MATERIAL				E000980/S
Scale: 1:8	Drafted	Verified	Confirmed	
Date	15/01/2015	20/01/2021	20/01/2021	
Initials	SD	TT	PJ	

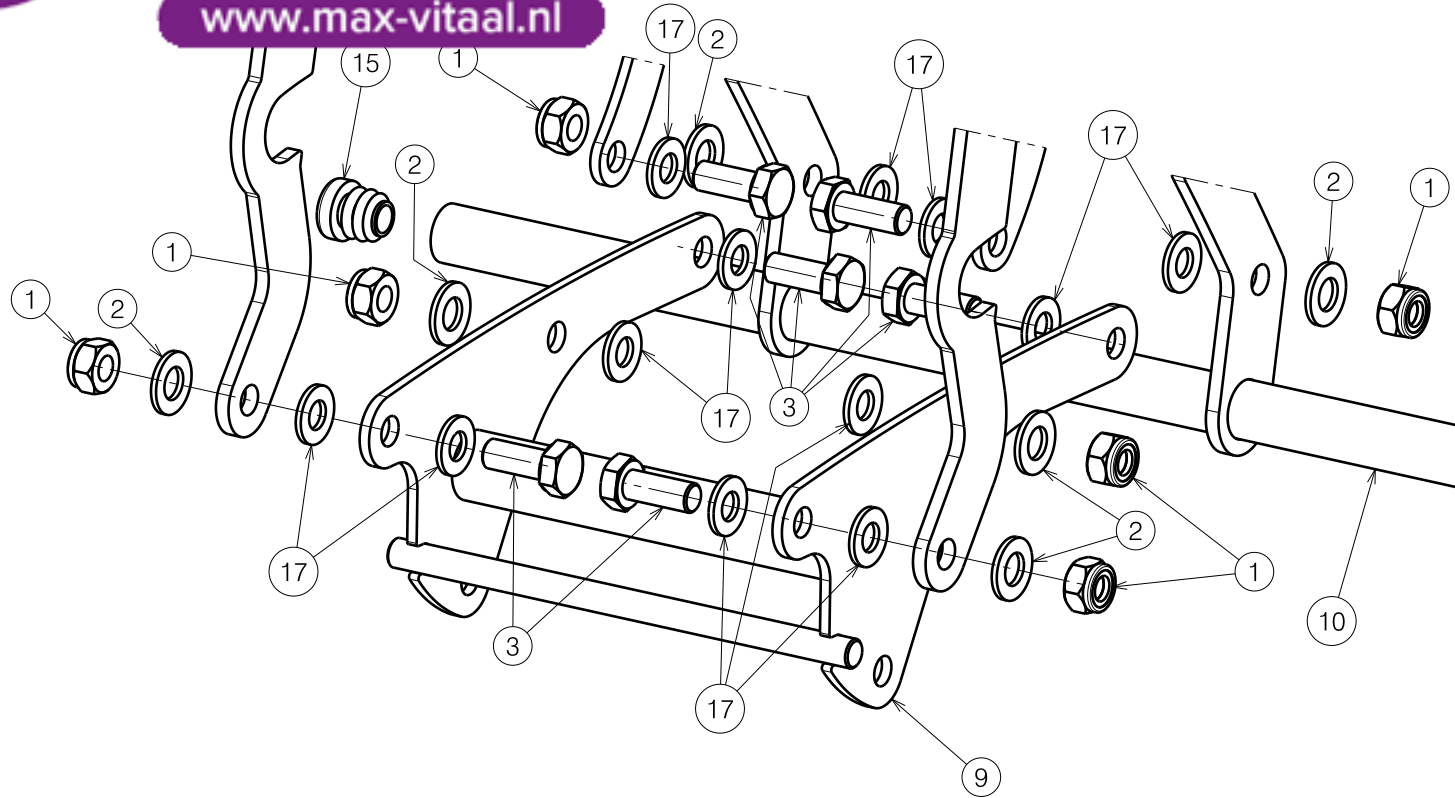


www.max-vitaal.nl


No.			
1			
2			
3			
4			
5			
6	XUC		
7	X004198	1	
8	XP00144	1894000	2
9	Y012124	1683482	1
10	Y012657	1683282	1
11	Y012658	1683382	1
12	Y012851	1683582	2
13	Y013065	1678300	1
14	M8X25 DIN 933	1001442	4
15	Ø16	1001598	4
16	Ø22	1001604	2
17	M8 DIN 125	1003199	20
18	Ø4X20 DIN 1481	1009584	2
19	Ø6	1992835	4
20	M8x40 ISO 7380	1008739	4

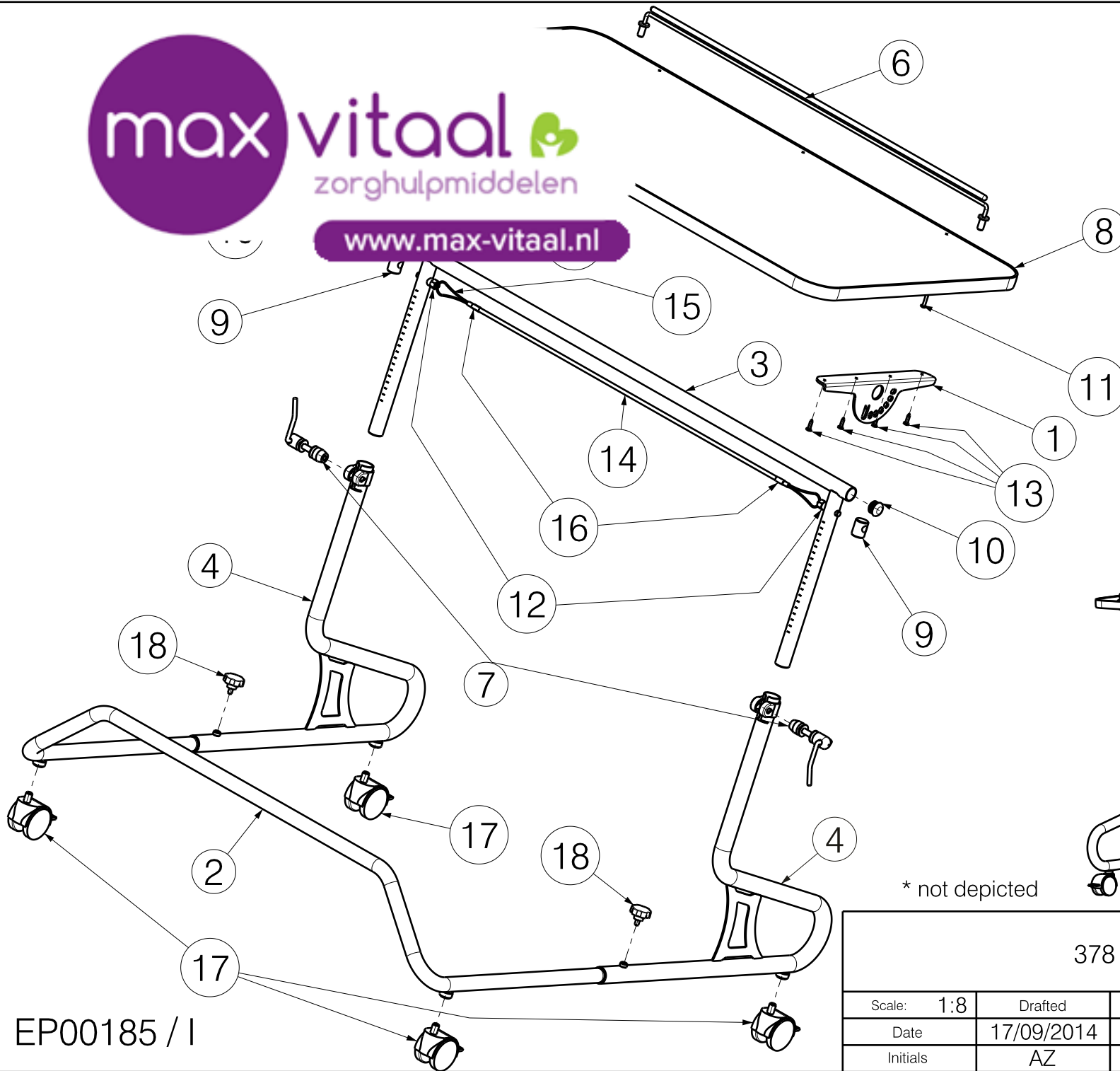


RETRACTABLE FOOT PLATE COMFORT CHAIR 2009				Plan No. E001042 / A
Scale: 1:5	Drafted	Verified	Confirmed	
Date	07/06/2016	07/06/2016	07/06/2016	
Initials	SD	SD	PJ	

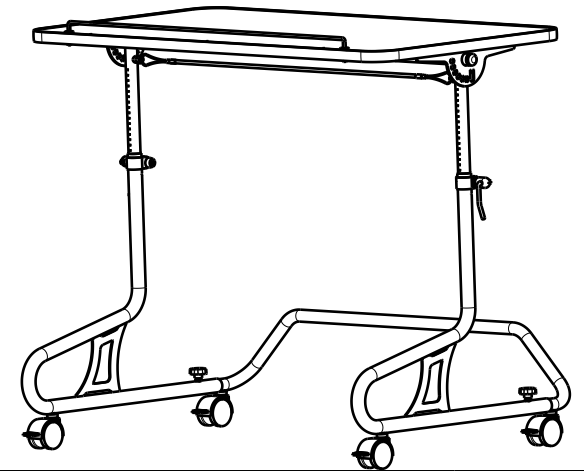


Detail A

RETRACTABLE FOOT PLATE COMFORT CHAIR 2009				Plan No. E001042 / A
Scale: 1:5	Drafted	Verified	Confirmed	
Date	07/06/2016	07/06/2016	07/06/2016	
Initials	SD	SD	PJ	




Material			
No.	Plan	Article	Quantity
1	YP04629	2893700	1
2	YP04651	2893938	1
3	YP04643	2894000	1
4	YP04654	2894238	2
5	YP04666	2893800	1
6	XP01451	2705900	1
7	---	1992400	2
8	XP01135	2992936	1
9	XP01146	2894300	2
10	---	1990648	2
11	M4x22	2993122	3
12	---	2990455	2
13	D4x16	1003021	8
14	---	1003279	0,4[m]
15	---	1992149	1
16	---	H005006	0,1[m]
17	---	1908666	4
18	Starknob M6x10	1003658	2
19*	---	2991192	2
20*	Box 720x590x970	U000245	1



* not depicted

EP00185 / I

378 TABLE				Plan No.
				EP00185 / I
Scale: 1:8	Drafted	Verified	Confirmed	
Date	17/09/2014	28/01/2019	28/01/2019	
Initials	AZ	AZ	TK	

				Old article	Old plan number
A	B02 V-series	www.max-vitaal.nl		1785254	Y019321
	B03 V-series			1739854	Y016846
				1739854	Y016846
B	B05 V-series			1758854	Y017854
	B04 V-series			1758854	Y017854
	Timix GT			---	---
	Timix / Forest 3			---	---
	Inovys	1785254	Y019321	---	---
	Navix			1669954	Y012236
	Forest / Express			1671554	Y012536
	Ascend			1671554	Y012536
	EZ-1			1671554	Y012536
C	B02 708D			1381504	Y002529
	B03 708D			1378304	Y002524
	B02 Eclips	1779054	Y018970	1553654	Y005617
	B03 Eclips			1553954	Y005627
D	B05 708D				
	B05 Eclips	1548354	Y005478		
E	Serenys	1608254	Y007792		
	Serenys 917*	1662354	---		
	Alesia	1690374	Y014119		
	Comfort chair	1671982 / 1672082	Y012628 Y012629		
F	B04 V-series	2019454	Y021909		
	B15 V-series				

* Not depicted

Eclips X4 kids -- E000911; Forest Kids / Springer -- E000912

Wooden table: E000538

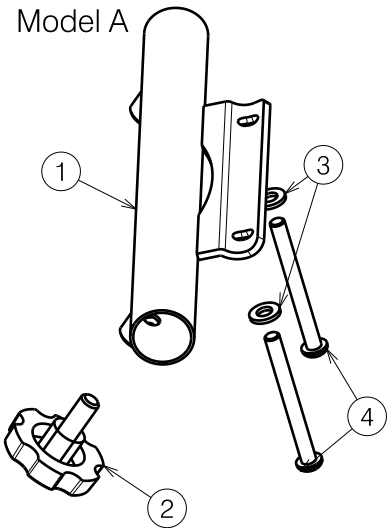
Plexi table manual wheelchair: E000633

Plexi table electro: E000744

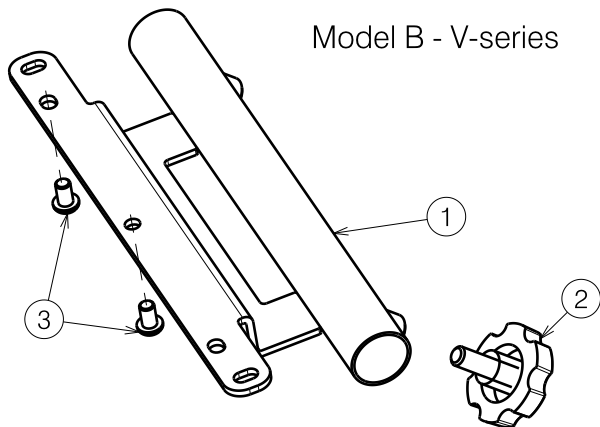
Plastic table B15A: EP00190

UNIVERSAL B13 2013				Plan No.
				P000025 / E
Scale: 1:8	Drafted	Verified	Confirmed	
Date	20/03/2013	26/09/2017	26/09/2017	
Initials	SD	SD	PJ	

No. /
1
2
3
4



*For B15A table (EP00190) double the quantity



Model B - V-series

Material / Materiaal - Model B V-series			
No. / Nr.	Plan	Article / Artikel	Quantity / Aantal*
1	Y019321	1785254	1
2	M8x16	2990024	1
3	M6x10	1900641	2

*For B15A table (EP00190) double the quantity

Material / Materiaal - Model B Electro / Inovys			
No. / Nr.	Plan	Article / Artikel	Quantity / Aantal*
1	Y019321	1785254	1
2	M8x16	2990024	1
3A	M6x16	1008459	2
3B	M6x20	1006999	2
3C	M6x30	1900641	2
3D	M6x60	1992915	2

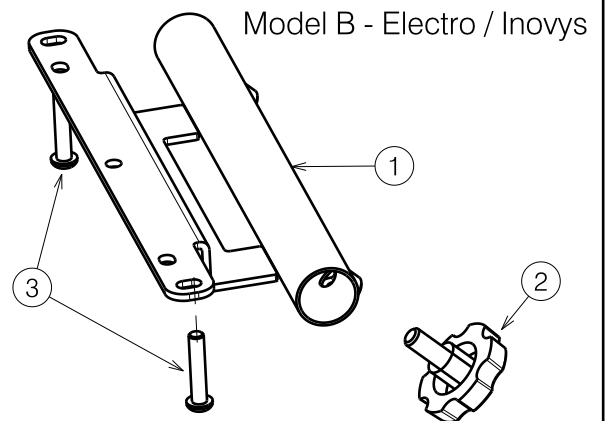
*For B15A table (EP00190) double the quantity

3A: Timix GT / Timix / Forest 3

3B: EZ1

3C: Inovys / Navix

3D: Ascend / Forest / Express



Model B - Electro / Inovys

UNIVERSAL B13 2013				Plan No.
				P000025 / E
Scale: 1:3	Drafted	Verified	Confirmed	
Date	20/03/2013	26/09/2017	26/09/2017	
Initials	SD	SD	PJ	

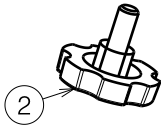


Material / Materiaal - Model C 708D		
	Article / Artikel	Quantity / Aantal*
16	1739854	1
16	2990024	1
M6x35 DIN966	1009803	2

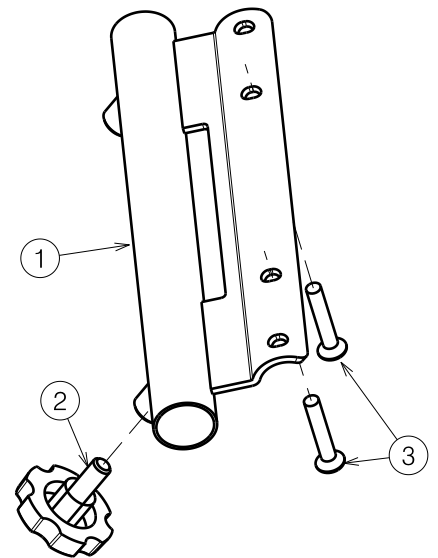


www.max-vitaal.nl

*For B15A table (EP00190) double the quantity



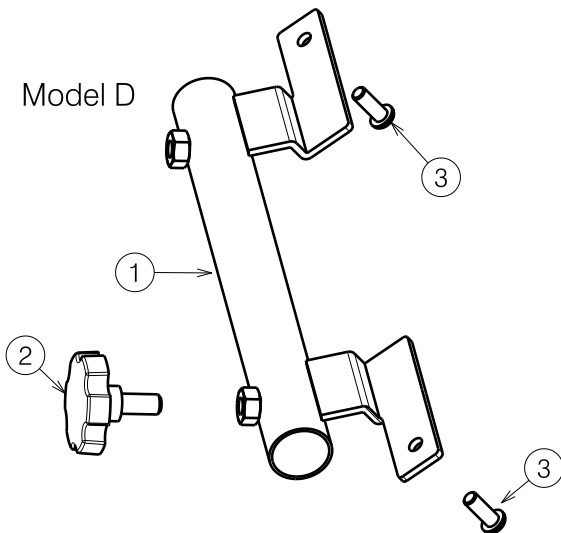
Model C - Eclips / Jazz



Material / Materiaal - Model C Eclips / Jazz			
No. / Nr.	Plan	Article / Artikel	Quantity / Aantal*
1	Y021062	2008754	1
2	M8x16	2990024	1
3	M6x35 DIN966	1003903	2

*For B15A table (EP00190) double the quantity

Model D



Material / Materiaal - Model D			
No. / Nr.	Plan	Article / Artikel	Quantity / Aantal*
1	Y019321	1785254	1
2	M8x16	2990024	1
3	M6x16	1008459	2

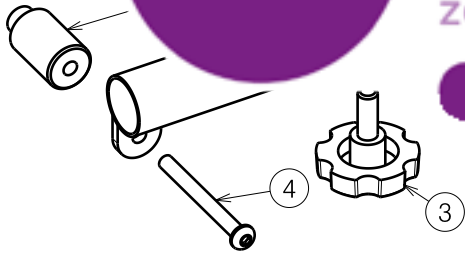
*For B15A table (EP00190) double the quantity

UNIVERSAL B13 2013				Plan No.
				P000025 / E
Scale: 1:3	Drafted	Verified	Confirmed	
Date	20/03/2013	26/09/2017	26/09/2017	
Initials	SD	SD	PJ	

Model



www.max-vitaal.nl



Material / Materiaal - Model E Serenys

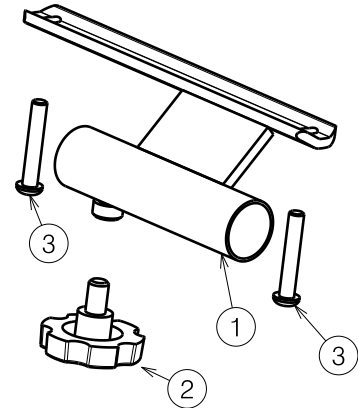
	Article / Artikel	Quantity / Aantal*
92	1608254	1
4	1996908	2
0	1001580	1
0	1992915	2

table (EP00190) double the quantity

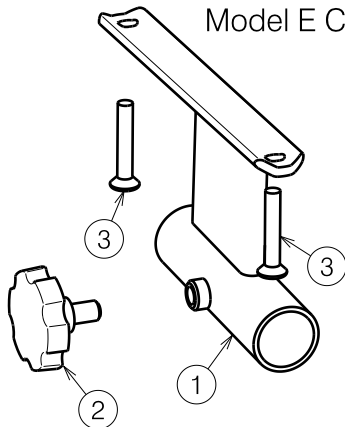
Material / Materiaal - Model E Alesia			
No. / Nr.	Plan	Article / Artikel	Quantity / Aantal*
1	Y014119	1690374	1
2	M8x12	1999934	1
3	M6x35	1006057	2

*For B15A table (EP00190) double the quantity

Model E - Alesia



Model E Comfort chair



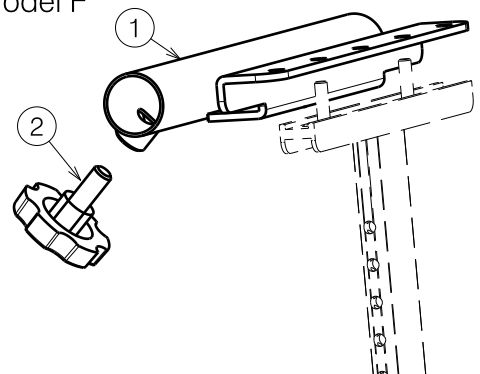
Material / Materiaal - Model E Comfort chair			
No. / Nr.	Plan	Article / Artikel	Quantity / Aantal*
1	Y012628 (L)	1671982	1
	Y012629 (R)	1672082	1
2	M8x12	1999931	2
3	M6x35 DIN966	1003903	2

*For B15A table (EP00190) double the quantity

Material / Materiaal - Model F			
No. / Nr.	Plan	Article / Artikel	Quantity / Aantal*
1	Y019321	1785254	1
2	M8x16	2990024	1

*For B15A table (EP00190) double the quantity

Model F

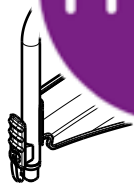


UNIVERSAL B13 2013				Plan No.
				P000025 / E
Scale: 1:3	Drafted	Verified	Confirmed	
Date	20/03/2013	26/09/2017	26/09/2017	
Initials	SD	SD	PJ	



max vitaal
zorghulpmiddelen

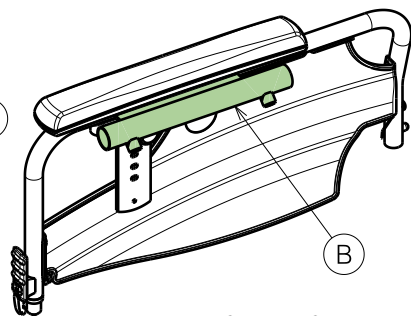
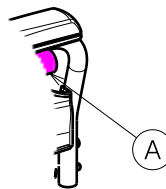
www.max-vitaal.nl



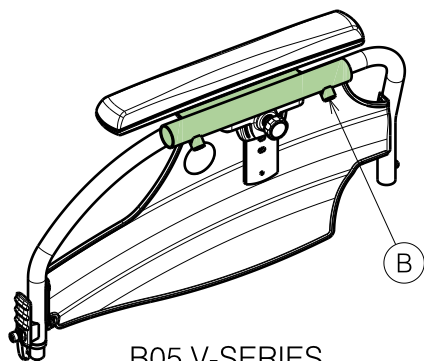
B02 V-SERIES



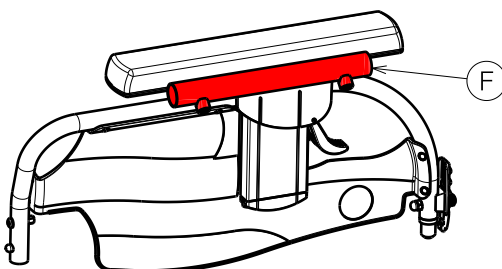
B03 V-SERIES



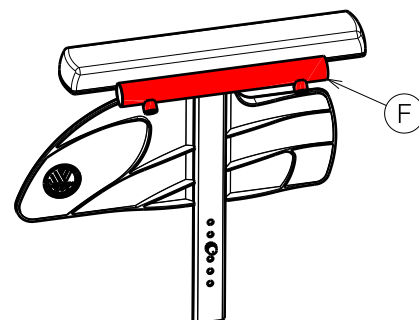
B04 V-SERIES



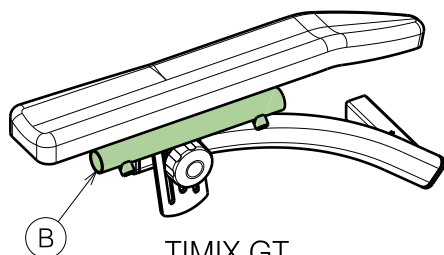
B05 V-SERIES



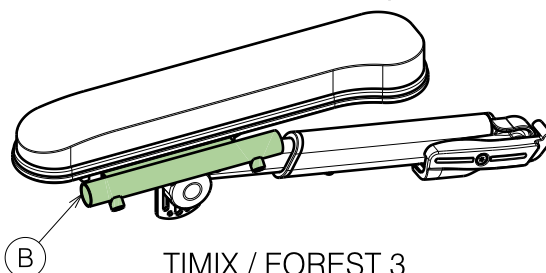
B04 V-SERIES 2016



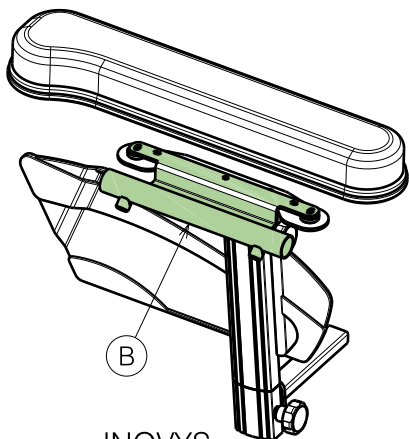
B15 V500



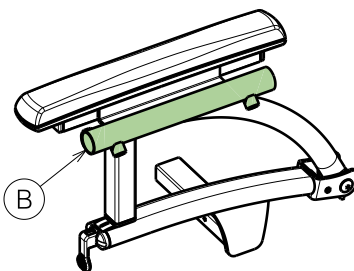
TIMIX GT



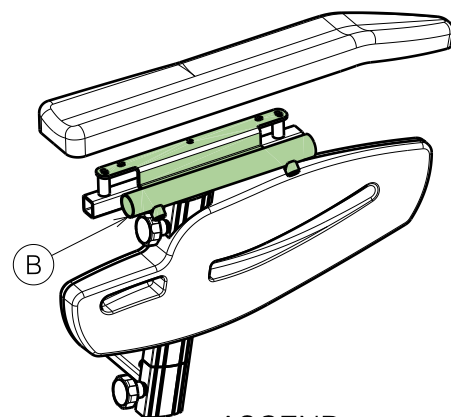
TIMIX / FOREST 3



INOVYS



NAVIX

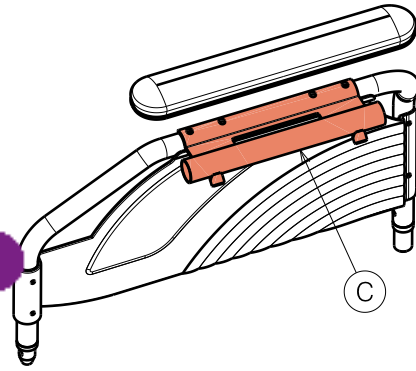


ASCEND

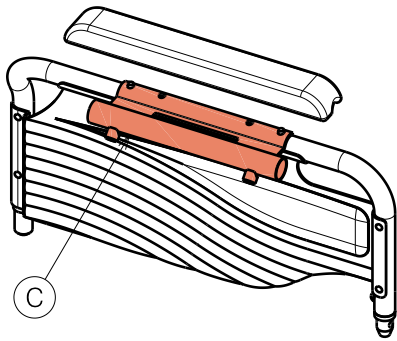
UNIVERSAL B13 2013				Plan No.
				P000025 / E
Scale: 1:8	Drafted	Verified	Confirmed	
Date	20/03/2013	26/09/2017	26/09/2017	
Initials	SD	SD	PJ	



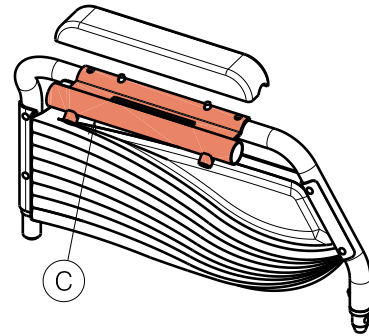
B02 708D



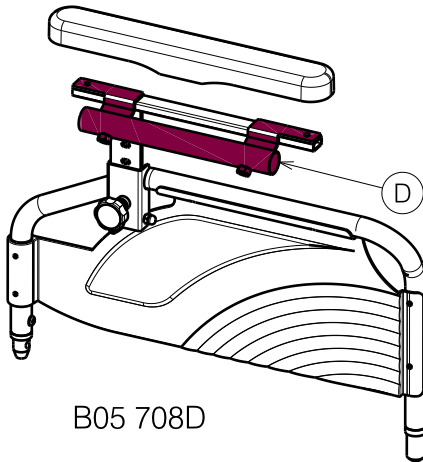
B03 708D



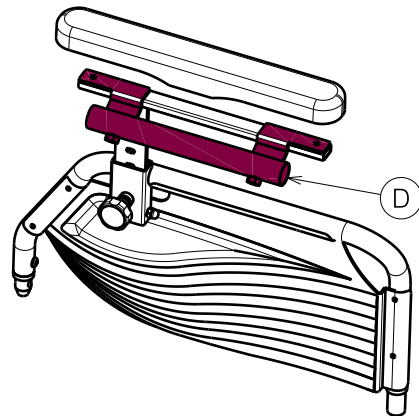
B02 ECLIPS / JAZZ



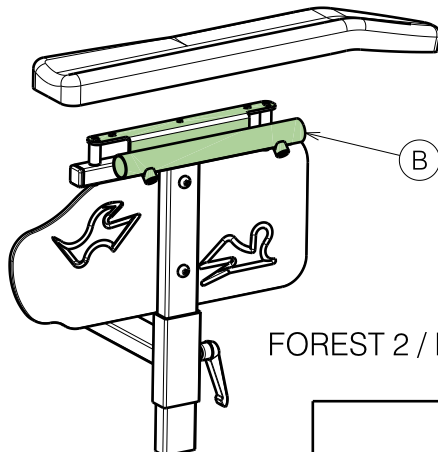
B03 ECLIPS / JAZZ



B05 708D



B05 ECLIPS / JAZZ



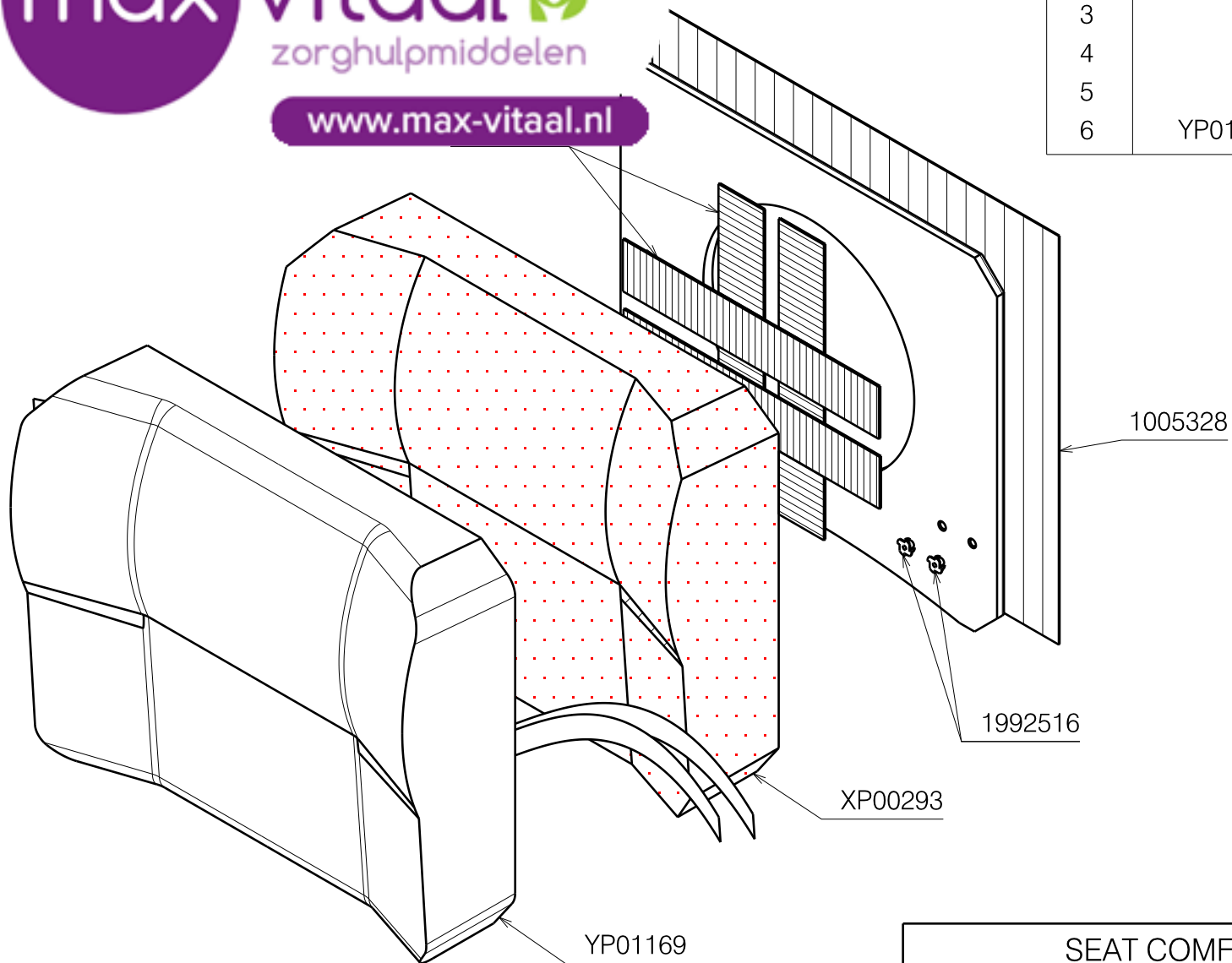
FOREST 2 / EXPRESS

UNIVERSAL B13 2013				Plan No.
				P000025 / E
Scale: 1:8	Drafted	Verified	Confirmed	
Date	12/03/2013	26/09/2017	26/09/2017	
Initials	SD	SD	PJ	



www.max-vitaal.nl

Material			
No. / Nr.	Plan / Rysunek	Article / Artykul	Number / Ilosc
1	XP00174	HP00054	1
2	XP00293	1998720	1
3		1005328	1
4		1992516	4
5		1998461	4
6	YP01169	FP00557	1



2990143

E000361 /A

SEAT COMFORT CHAIR			Plan No. / Nr.rys.
SIEDZISKO FOTEL WYPOCZYNKOWY			E000361 /A
Scale / Skala 1:5	Drafted / Rysowal	Verified / Sprawdzil	Confirmed / Zatweirdzil
Date / Data	23/04/2007	26/04/2007	26/04/2007
Init. / Inic.	BS	BS	TK

